

# STAINLESS UNDERMOUNT INSTALLATION



## ATTENTION

This product requires professional installation. Please provide your countertop fabricator with this information. Please observe all state and local building and plumbing codes.

### \*\*TEMPLATE/GUIDE\*\*

The template provided is to be used as a guide for cutting. Due to installation preference, some customization will be required. Please contact the manufacturer if a .DXF file is required.



## WARNING

Before installation, please inspect your product for any damage that may have occurred during shipping. If the product was damaged in the shipping process or your product needs to be returned for another reason, it must be in the original packaging. If the product is not returned with the original packaging you may not be eligible for a refund of the purchase price. Return fees may apply. Please contact your dealer for more information.



## HOMEOWNERS

Please read before installation.

### NEW INSTALLATION

When preparing for installation, it is recommended that you consult with your countertop fabricator as to your installation preference. **When preparing the template for installation, a 1/4" overhang is recommended to provide a clean transition from countertop to sink.** The overhang will hide any sign of the silicone adhesive.

### REPLACEMENT

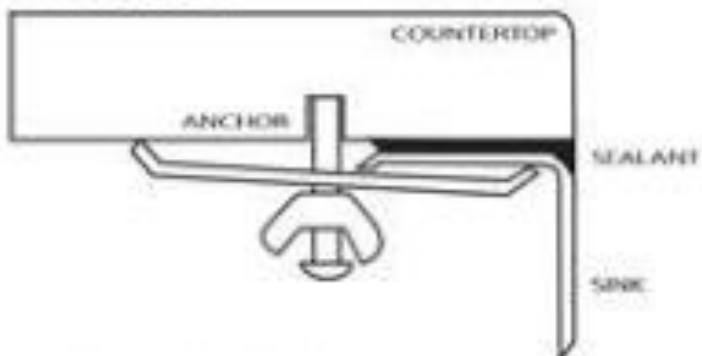
If replacing a pre-existing hole, make sure that the model you have chosen is larger than the existing hole. This will allow for any adjustments that might be needed for the installation process.

## INSTALLATION PREFERENCE

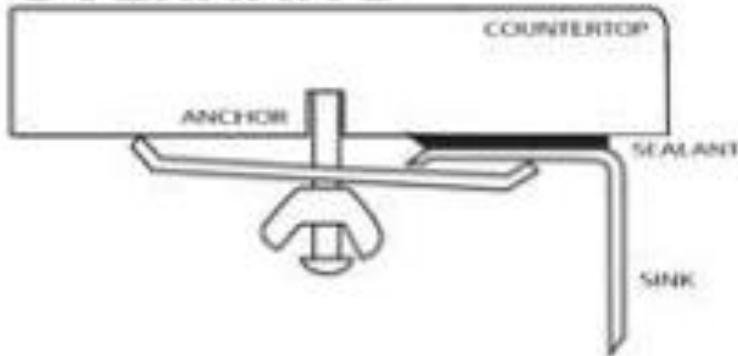
**FLUSH MOUNT:** The countertop is flush with the sink.

**OVERHANG:** The countertop is positioned over the sink bowl by a set amount. (Typically 1/8" to 1/4")

### FLUSH



### OVERHANG



## Step: 1

### COUNTERTOP PREP

When preparing the template take care not to scratch or damage your countertop.

1. Place template in desired location to allow for proper bowl and faucet clearance. If using a backsplash with your countertop, make sure that it is accounted for during your measurements.
2. If choosing a flush installation, use the designated line on the template. If an overhang is desired, customization of the template will be required to achieve the designated overhang.



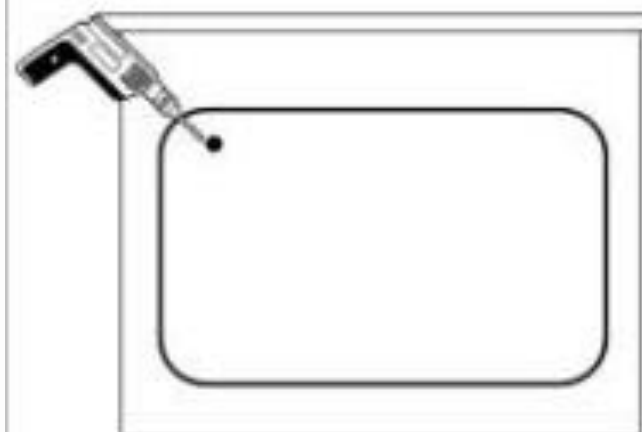
## Step: 2

### CUTTING THE HOLE

When the the template is finished, take a moment and place it on the actual sink. The template will represent the countertop sink hole. Make sure that the template achieves the result you desire.

1. After marking the template, cut a pilot hole on the inside of the template mark. Use the appropriate cutting tool for the solid surface material you have selected. Cut on the inside edge of the mark.

**(Professional fabrication is recommended)**



## Step: 3

### INSTALLATION

#### ANCHOR HOLES:

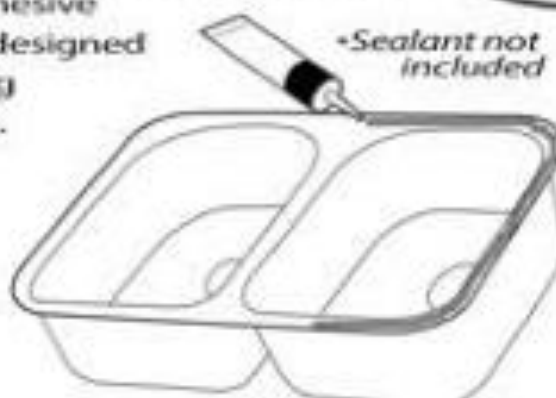
After the sink hole has been made, evenly space clips around the sink where accessible. Measure the anchor hole by positioning a clip along the edge of the sink hole in the desired location and place a mark in the farthest clip hole location from the edge.

#### BE ADVISED:

**Your fabricator might use a different installation method.**

#### PREP THE SINK:

Apply a continuous bead of silicone sealant / adhesive specifically designed for plumbing applications.



## Step: 4

### INSTALLATION

After you have confirmed that the sink lines up correctly within the existing hole cut-out, it is now time to install the sink.

1. Center the sink on the underside of the countertop sink hole. You will need to brace the sink in place during fitting.
1. Using the new hardware or existing hardware, loosely tighten the clips with the angled side facing down. After final adjustments have been made, tighten clips.
3. **Clean any excess sealant from the inside rim of the sink immediately** and prepare for plumbing.

